

# How to prepare a Seminar report using L<sup>A</sup>T<sub>E</sub>X

*A Seminar Report*

*Submitted to the APJ Abdul Kalam Technological University*

*in partial fulfillment of requirements for the award of degree*

***Bachelor of Technology***

*in*

***Electronics and Communication Engineering***

*by*

**Student Name**

**TVE17EC0XY**



**DEPARTMENT OF ELECTRONICS AND COMMUNICATION ENGINEERING**

**COLLEGE OF ENGINEERING TRIVANDRUM**

**KERALA**

**November 2020**

**DEPT. OF ELECTRONICS & COMMUNICATION ENGINEERING**  
**COLLEGE OF ENGINEERING TRIVANDRUM**

**2020 - 21**



**CERTIFICATE**

This is to certify that the report entitled **How to prepare a Seminar report using L<sup>A</sup>T<sub>E</sub>X** submitted by **Student Name** (TVE17EC0XY), to the APJ Abdul Kalam Technological University in partial fulfillment of the B.Tech. degree in Electronics and Communication Engineering is a bonafide record of the seminar work carried out by him under our guidance and supervision. This report in any form has not been submitted to any other University or Institute for any purpose.

**Prof. Seminar guide**  
(Seminar Guide)  
Assistant Professor  
Dept.of ECE  
College of Engineering  
Trivandrum

**Prof. Joaquim Ignatious M.**  
(Seminar Coordinator)  
Assistant Professor  
Dept.of ECE  
College of Engineering  
Trivandrum

**Dr. Head of Department**  
Professor and Head  
Dept.of ECE  
College of Engineering  
Trivandrum

## DECLARATION

I Student Name hereby declare that the seminar report **How to prepare a Seminar report using L<sup>A</sup>T<sub>E</sub>X**, submitted for partial fulfillment of the requirements for the award of degree of Bachelor of Technology of the APJ Abdul Kalam Technological University, Kerala is a bonafide work done by me under supervision of Prof. Seminar guide

This submission represents my ideas in my own words and where ideas or words of others have been included, I have adequately and accurately cited and referenced the original sources.

I also declare that I have adhered to ethics of academic honesty and integrity and have not misrepresented or fabricated any data or idea or fact or source in my submission. I understand that any violation of the above will be a cause for disciplinary action by the institute and/or the University and can also evoke penal action from the sources which have thus not been properly cited or from whom proper permission has not been obtained. This report has not been previously formed the basis for the award of any degree, diploma or similar title of any other University.

Trivandrum

Student Name

21-11-2020

# Abstract

This document contains essential templates required to write technical reports using  $\text{\LaTeX}$ . This template may be used for the preparation of B.Tech seminar reports of APJ Abdul Kalam Technological University, Kerala. Also minimum working examples to create equations, include figure, include table, table of contents symbols list and bibliographic citation in a  $\text{\LaTeX}$  document are provided.

Please note that this template is provided without warranty on an AS IS basis.

*JIM*

# Acknowledgement

I take this opportunity to express my deepest sense of gratitude and sincere thanks to everyone who helped me to complete this work successfully. I express my sincere thanks to **Dr. Head of Department**, Head of Department, Electronics and Communication Engineering, College of Engineering Trivandrum for providing me with all the necessary facilities and support.

I would like to express my sincere gratitude to **Prof. Joaquim Ignatious M.** and **Prof. Seminar coordinator 2**, department of Electronics and Communication Engineering, College of Engineering Trivandrum for their support and co-operation. I would like to place on record my sincere gratitude to my seminar guide **Prof. Seminar guide**, Assistant Professor, Electronics and Communication Engineering, College of Engineering for the guidance and mentorship throughout the course.

Finally I thank my family, and friends who contributed to the succesful fulfilment of this seminar work.

**Student Name**

# Contents

<b>Abstract</b>	<b>i</b>
<b>Acknowledgement</b>	<b>ii</b>
<b>List of Figures</b>	<b>iv</b>
<b>List of Tables</b>	<b>v</b>
<b>List of Symbols</b>	<b>vi</b>
<b>1 Introduction</b>	<b>1</b>
<b>2 Title this chapter suitably</b>	<b>2</b>
2.1 section1 . . . . .	3
2.1.1 title 2 . . . . .	3
<b>3 Conclusion</b>	<b>5</b>
<b>References</b>	<b>6</b>

# List of Figures

2.1	Autonomous System Hierarchy . . . . .	2
2.2	The Sine and Cosine waves . . . . .	4

# List of Tables

2.1	test table . . . . .	4
-----	----------------------	---



# List of Symbols

$\Omega$  Unit of Resistance

$\varepsilon'$  Real part of dielectric constant

$c$  Speed of light

$\lambda$  Wavelength

$\delta$  Delta

# Chapter 1

## Introduction

**Give an introduction about your seminar topic. This chapter may also be used to provide the report reader with background about the topic. For example, if your seminar is about Security of Computer Networks, you may discuss the basics of computer networks in this chapter so that your seminar report can provide all the relevant info related to the topic. Please ensure that you screen the content so as to not stretch this chapter unnecessarily**

Lorem ipsum dolor sit amet, consectetur adipiscing elit. Ut purus elit, vestibulum ut, placerat ac, adipiscing vitae, felis. Curabitur dictum gravida mauris. Nam arcu libero, nonummy eget, consectetur id, vulputate a, magna. Donec vehicula augue eu neque. Pellentesque habitant morbi tristique senectus et netus et malesuada fames ac turpis egestas. Mauris ut leo. Cras viverra metus rhoncus sem. Nulla et lectus vestibulum urna fringilla ultrices. Phasellus eu tellus sit amet tortor gravida placerat. Integer sapien est, iaculis in, pretium quis, viverra ac, nunc. Praesent eget sem vel leo ultrices bibendum. Aenean faucibus. Morbi dolor nulla, malesuada eu, pulvinar at, mollis ac, nulla. Curabitur auctor semper nulla. Donec varius orci eget risus. Duis nibh mi, congue eu, accumsan eleifend, sagittis quis, diam. Duis eget orci sit amet orci dignissim rutrum.

# Chapter 2

## Title this chapter suitably

Title of this chapter should be based on the key theme of your seminar. For instance if your seminar is on the topic Security of computer networks, title the chapter may be 'Computer Network Security' Do not give the chapter the same title as the base paper of your seminar. Give a shorter title that reflects the seminar topic content

Organize your seminar topic content into suitable sub sections. Use IEEE citation format to cite the papers referred by you. An example is shown below.

Technical writing is writing or drafting technical communication used in technical and occupational fields [1], such as computer hardware and software [2], engineering, chemistry, aeronautics, robotics, finance [3], medical, consumer electronics, biotechnology, and forestry. Technical writing encompasses the largest sub-field in technical communication. See figure 2.1 that shows the autonomous systems in Internet.

The SAM V71 datasheet [4]

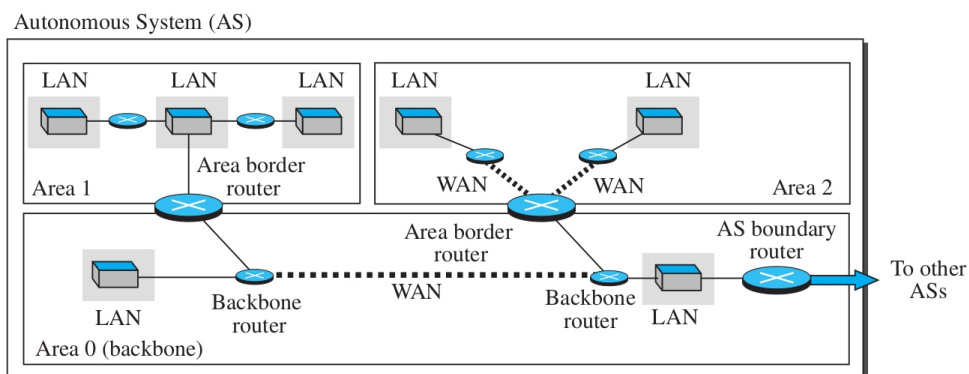


Figure 2.1: Autonomous System Hierarchy

## 2.1 section1

Nam dui ligula, fringilla a, euismod sodales, sollicitudin vel, wisi. Morbi auctor lorem non justo. Nam lacus libero, pretium at, lobortis vitae, ultricies et, tellus. Donec aliquet, tortor sed accumsan bibendum, erat ligula aliquet magna, vitae ornare odio metus a mi. Morbi ac orci et nisl hendrerit mollis. Suspendisse ut massa. Cras nec ante. Pellentesque a nulla. Cum sociis natoque penatibus et magnis dis parturient montes, nascetur ridiculus mus. Aliquam tincidunt urna. Nulla ullamcorper vestibulum turpis. Pellentesque cursus luctus mauris.

### 2.1.1 title 2

Nulla malesuada porttitor diam. Donec felis erat, congue non, volutpat at, tincidunt tristique, libero. Vivamus viverra fermentum felis. Donec nonummy pellentesque ante. Phasellus adipiscing semper elit. Proin fermentum massa ac quam. Sed diam turpis, molestie vitae, placerat a, molestie nec, leo. Maecenas lacinia. Nam ipsum ligula, eleifend at, accumsan nec, suscipit a, ipsum. Morbi blandit ligula feugiat magna. Nunc eleifend consequat lorem. Sed lacinia nulla vitae enim. Pellentesque tincidunt purus vel magna. Integer non enim. Praesent euismod nunc eu purus. Donec bibendum quam in tellus. Nullam cursus pulvinar lectus. Donec et mi. Nam vulputate metus eu enim. Vestibulum pellentesque felis eu massa.

The system is described by the equation 2.1 below. Here  $y$  is the ordinate and  $x$  is the abscissa,  $m$  is the slope and  $c$  a constant.

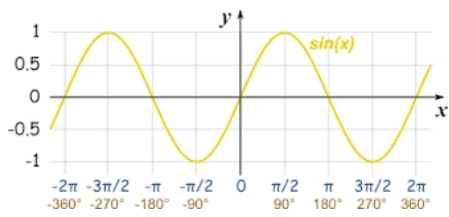
$$y = mx + c \tag{2.1}$$

Page centered and unnumbered multiple equations. The \* symbol suppresses equation numbering.

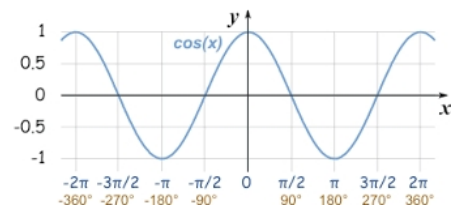
$$2x - 5y = 8$$

$$3x + 9y = -12$$

Side by side figures can be created using this environment. See fig 2.2 below.



(a) Sine Wave



(b) Cosine Wave

Figure 2.2: The Sine and Cosine waves

Table 2.1: test table

Sl. No	Item 1	Itm 2
1	37	45
2	42	23
3	47	1
4	52	-21
5	57	-43
6	62	-65
7	67	-87
8	72	-109
9	77	-131
10	82	-153

# Chapter 3

## Conclusion

Nam dui ligula, fringilla a, euismod sodales, sollicitudin vel, wisi. Morbi auctor lorem non justo. Nam lacus libero, pretium at, lobortis vitae, ultricies et, tellus. Donec aliquet, tortor sed accumsan bibendum, erat ligula aliquet magna, vitae ornare odio metus a mi. Morbi ac orci et nisl hendrerit mollis. Suspendisse ut massa. Cras nec ante. Pellentesque a nulla. Cum sociis natoque penatibus et magnis dis parturient montes, nascetur ridiculus mus. Aliquam tincidunt urna. Nulla ullamcorper vestibulum turpis. Pellentesque cursus luctus mauris.

# References

- [1] S. Ahmed, Z. Subah, and M. Z. Ali, “Cryptographic data security for iot healthcare in 5g and beyond networks,” in *2022 IEEE Sensors*. IEEE, 2022, pp. 1–4.
- [2] “Bsnl,” <https://portal.bsnl.in/myportal/>, accessed on 2021-01-21.
- [3] Y. C. Hu, M. Patel, D. Sabella, N. Sprecher, and V. Young, “Mobile edge computing—a key technology towards 5g,” *ETSI white paper*, vol. 11, no. 11, pp. 1–16, 2015.
- [4] “Sam v71,” [https://ww1.microchip.com/downloads/en/DeviceDoc/Atmel-44003-32-bit-Cortex-M7-Microcontroller-SAM-V71Q-SAM-V71N-SAM-V71J\\_Datasheet.pdf](https://ww1.microchip.com/downloads/en/DeviceDoc/Atmel-44003-32-bit-Cortex-M7-Microcontroller-SAM-V71Q-SAM-V71N-SAM-V71J_Datasheet.pdf), accessed on 2023-12-05.