



STAMFORD UNIVERSITY BANGLADESH

Department of Computer Science and Engineering
Term X Examination, Spr./Sum//Fall YYYY Semester
Course Code: Course Title
CT: Faculty Name
Date and Time: dd/MM/YYYY, HH:MM - HH:MM

Batch: CSE-S-XX-X
Duration: 2 hours

Campus: Siddeswari
Full Marks: 30 marks

(There are **FOUR** questions. **Answering all of them is mandatory.** Figures in the right margin indicate CLOs and marks. Writing anything on the question paper is strictly prohibited.)

1. Lorem ipsum dolor sit amet, consectetur adipiscing elit. Ut purus elit, vestibulum ut, placerat ac, adipiscing vitae, felis. Curabitur dictum gravida mauris. Nam arcu libero, nonummy eget, consectetur id, vulputate a, magna. Donec vehicula augue eu neque. Pellentesque habitant morbi tristique senectus et netus et malesuada fames ac turpis egestas. Mauris ut leo. Cras viverra metus rhoncus sem. Nulla et lectus vestibulum urna fringilla ultrices. Phasellus eu tellus sit amet tortor gravida placerat. Integer sapien est, iaculis in, pretium quis, viverra ac, nunc. Praesent eget sem vel leo ultrices bibendum. Aenean faucibus. Morbi dolor nulla, malesuada eu, pulvinar at, mollis ac, nulla. Curabitur auctor semper nulla. Donec varius orci eget risus. Duis nibh mi, congue eu, accumsan eleifend, sagittis quis, diam. Duis eget orci sit amet orci dignissim rutrum.

Now, take a look at a figure.

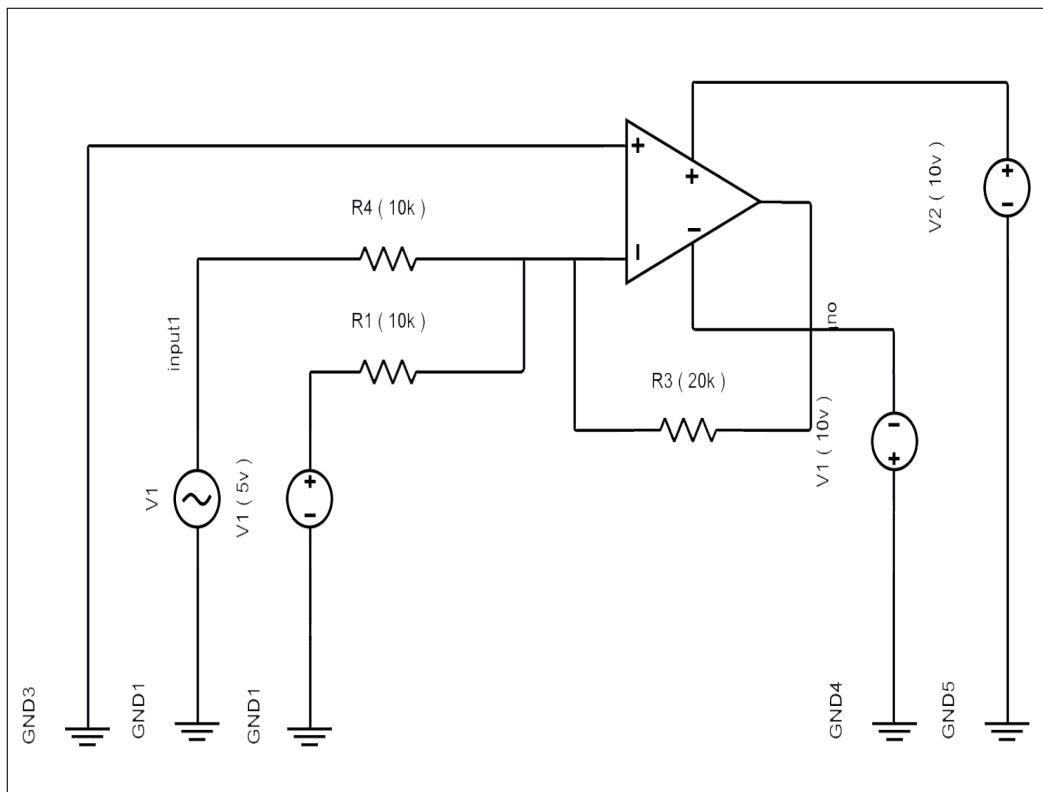
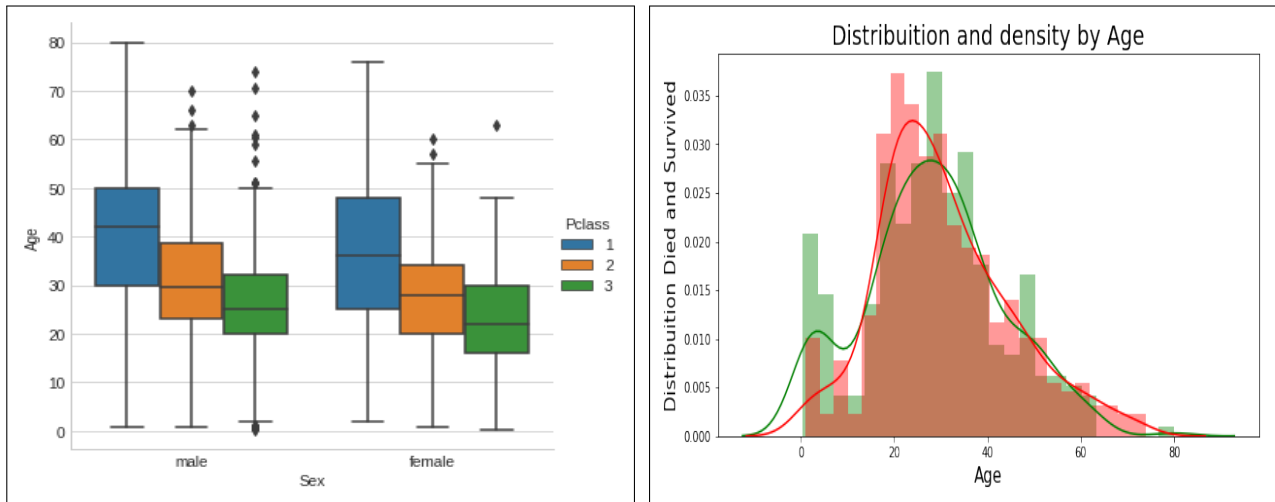


Figure 1: A basic OP-Amp circuit

Lorem ipsum dolor sit amet, consectetur adipiscing elit. Ut purus elit, vestibulum ut, placerat ac, adipiscing vitae, felis. Curabitur dictum gravida mauris. Nam arcu libero, nonummy eget, consectetur id, vulputate a, magna. Donec vehicula augue eu neque. Pellentesque habitant

morbi tristique senectus et netus et malesuada fames ac turpis egestas. Mauris ut leo. Cras viverra metus rhoncus sem. Nulla et lectus vestibulum urna fringilla ultrices. Phasellus eu tellus sit amet tortor gravida placerat. Integer sapien est, iaculis in, pretium quis, viverra ac, nunc. Praesent eget sem vel leo ultrices bibendum. Aenean faucibus. Morbi dolor nulla, malesuada eu, pulvinar at, mollis ac, nulla. Curabitur auctor semper nulla. Donec varius orci eget risus. Duis nibh mi, congue eu, accumsan eleifend, sagittis quis, diam. Duis eget orci sit amet orci dignissim rutrum. And now look at the two sub-figures.



(a) A boxplot

(b) A histogram

Figure 2: EDA from the titanic dataset

As a potential data scientist, try to find out the following:

(a) i. Sub task 1. (3)

ii. Sub task 2.

(b) Lorem ipsum dolor sit amet, consectetur adipiscing elit. Ut purus elit, vestibulum (3)

ut, placerat ac, adipiscing vitae, felis. Curabitur dictum gravida mauris. Nam arcu libero, nonummy eget, consectetur id, vulputate a, magna. Donec vehicula augue eu neque. Pellentesque habitant morbi tristique senectus et netus et malesuada fames ac turpis egestas. Mauris ut leo. Cras viverra metus rhoncus sem. Nulla et lectus vestibulum urna fringilla ultrices. Phasellus eu tellus sit amet tortor gravida placerat. Integer sapien est, iaculis in, pretium quis, viverra ac, nunc. Praesent eget sem vel leo ultrices bibendum. Aenean faucibus. Morbi dolor nulla, malesuada eu, pulvinar at, mollis ac, nulla. Curabitur auctor semper nulla. Donec varius orci eget risus. Duis nibh mi, congue eu, accumsan eleifend, sagittis quis, diam. Duis eget orci sit amet orci dignissim rutrum. Consider the following equation:

$$\text{net}_j = \sum_i W_{ij}x_{ij} = W_{0j}x_{0j} + W_{1j}x_{1j} + \dots + W_{Ij}x_{Ij}$$

Do the following tasks:

i. Sub task 1.

ii. Sub task 2.

(c) Task description (4)

2. Nam dui ligula, fringilla a, euismod sodales, sollicitudin vel, wisi. Morbi auctor lorem non justo. Nam lacus libero, pretium at, lobortis vitae, ultricies et, tellus. Donec aliquet, tortor sed

accumsan bibendum, erat ligula aliquet magna, vitae ornare odio metus a mi. Morbi ac orci et nisl hendrerit mollis. Suspendisse ut massa. Cras nec ante. Pellentesque a nulla. Cum sociis natoque penatibus et magnis dis parturient montes, nascetur ridiculus mus. Aliquam tincidunt urna. Nulla ullamcorper vestibulum turpis. Pellentesque cursus luctus mauris.

Nulla malesuada porttitor diam. Donec felis erat, congue non, volutpat at, tincidunt tristique, libero. Vivamus viverra fermentum felis. Donec nonummy pellentesque ante. Phasellus adipiscing semper elit. Proin fermentum massa ac quam. Sed diam turpis, molestie vitae, placerat a, molestie nec, leo. Maecenas lacinia. Nam ipsum ligula, eleifend at, accumsan nec, suscipit a, ipsum. Morbi blandit ligula feugiat magna. Nunc eleifend consequat lorem. Sed lacinia nulla vitae enim. Pellentesque tincidunt purus vel magna. Integer non enim. Praesent euismod nunc eu purus. Donec bibendum quam in tellus. Nullam cursus pulvinar lectus. Donec et mi. Nam vulputate metus eu enim. Vestibulum pellentesque felis eu massa.:

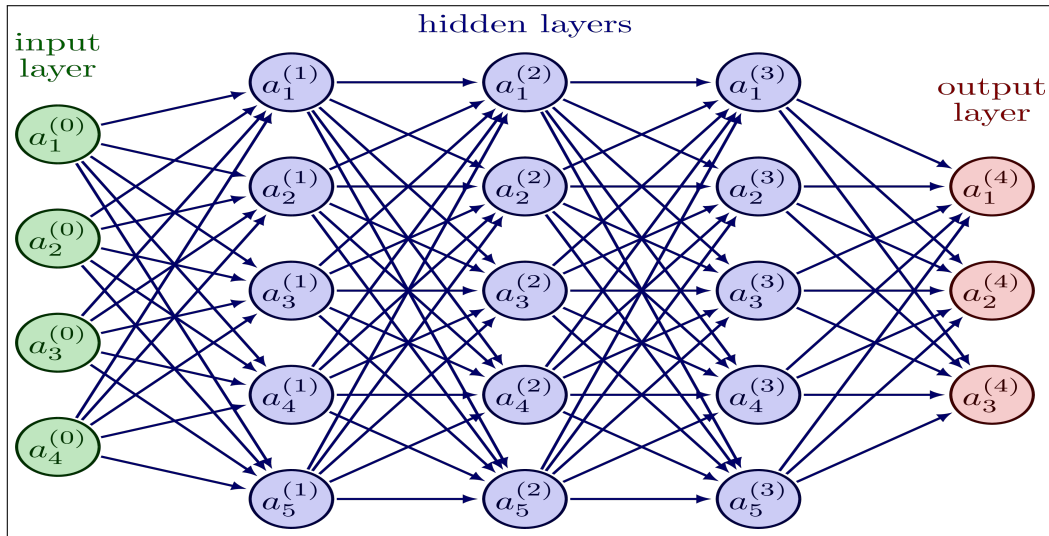


Figure 3: Architecture of the neural network

The weights of the neural network are randomly set as follows: The weights of the neural network are randomly set as follows:

Table 1: Weights of the neural network

$x_0 = 1$	$W_{0e} = 0.5$	$W_{0f} = 0.5$	$W_{0g} = 0.5$		$W_{0h} = 0.25$
$x_a = 0.8$	$W_{ae} = 0.5$	$W_{be} = 0.9$	$W_{ce} = 0.6$	$W_{de} = 0.6$	$W_{eh} = 0.9$
$x_b = 0.3$	$W_{af} = 0.5$	$W_{bf} = 0.9$	$W_{cf} = 0.6$	$W_{df} = 0.8$	$W_{fh} = 0.9$
$x_c = 0.6$	$W_{ag} = 0.4$	$W_{bg} = 0.8$	$W_{cg} = 0.6$	$W_{dg} = 0.6$	$W_{gh} = 0.8$
$x_d = 0.6$					

- (a) Now perform the following task (6)
- i. Calculate the value of $(1 + \frac{1}{\exp^{-x}})$.
 - ii. Task 2.
- (b) Take a look at the given Figure 1 and do task 1. (4)

3. Quisque ullamcorper placerat ipsum. Cras nibh. Morbi vel justo vitae lacus tincidunt (10)
ultrices. Lorem ipsum dolor sit amet, consectetur adipiscing elit. In hac habitasse platea
dictumst. Integer tempus convallis augue. Etiam facilisis. Nunc elementum fermentum
wisi. Aenean placerat. Ut imperdiet, enim sed gravida sollicitudin, felis odio placerat
quam, ac pulvinar elit purus eget enim. Nunc vitae tortor. Proin tempus nibh sit amet nisl.
Vivamus quis tortor vitae risus porta vehicula.

===== Best of Luck =====

Appendix

Table 2: T-table of Confidence interval estimate

<i>t</i> PERCENTAGE POINTS											
<i>v</i>	60.0%	66.7%	75.0%	80.0%	87.5%	90.0%	95.0%	97.5%	99.0%	99.5%	99.9%
1	0.325	0.577	1.000	1.376	2.414	3.078	6.314	12.706	31.821	63.657	318.31
2	0.289	0.500	0.816	1.061	1.604	1.886	2.920	4.303	6.965	9.925	22.327
3	0.277	0.476	0.765	0.978	1.423	1.638	2.353	3.182	4.541	5.841	10.215
4	0.271	0.464	0.741	0.941	1.344	1.533	2.132	2.776	3.747	4.604	7.173
5	0.267	0.457	0.727	0.920	1.301	1.476	2.015	2.571	3.365	4.032	5.893
6	0.265	0.453	0.718	0.906	1.273	1.440	1.943	2.447	3.143	3.707	5.208
7	0.263	0.449	0.711	0.896	1.254	1.415	1.895	2.365	2.998	3.499	4.785
8	0.262	0.447	0.706	0.889	1.240	1.397	1.860	2.306	2.896	3.355	4.501
9	0.261	0.445	0.703	0.883	1.230	1.383	1.833	2.262	2.821	3.250	4.297
10	0.260	0.444	0.700	0.879	1.221	1.372	1.812	2.228	2.764	3.169	4.144
11	0.260	0.443	0.697	0.876	1.214	1.363	1.796	2.201	2.718	3.106	4.025
12	0.259	0.442	0.695	0.873	1.209	1.356	1.782	2.179	2.681	3.055	3.930
13	0.259	0.441	0.694	0.870	1.204	1.350	1.771	2.160	2.650	3.012	3.852
14	0.258	0.440	0.692	0.868	1.200	1.345	1.761	2.145	2.624	2.977	3.787
15	0.258	0.439	0.691	0.866	1.197	1.341	1.753	2.131	2.602	2.947	3.733
16	0.258	0.439	0.690	0.865	1.194	1.337	1.746	2.120	2.583	2.921	3.686
17	0.257	0.438	0.689	0.863	1.191	1.333	1.740	2.110	2.567	2.898	3.646
18	0.257	0.438	0.688	0.862	1.189	1.330	1.734	2.101	2.552	2.878	3.610
19	0.257	0.438	0.688	0.861	1.187	1.328	1.729	2.093	2.539	2.861	3.579
20	0.257	0.437	0.687	0.860	1.185	1.325	1.725	2.086	2.528	2.845	3.552
21	0.257	0.437	0.686	0.859	1.183	1.323	1.721	2.080	2.518	2.831	3.527
22	0.256	0.437	0.686	0.858	1.182	1.321	1.717	2.074	2.508	2.819	3.505
23	0.256	0.436	0.685	0.858	1.180	1.319	1.714	2.069	2.500	2.807	3.485
24	0.256	0.436	0.685	0.857	1.179	1.318	1.711	2.064	2.492	2.797	3.467
25	0.256	0.436	0.684	0.856	1.178	1.316	1.708	2.060	2.485	2.787	3.450
26	0.256	0.436	0.684	0.856	1.177	1.315	1.706	2.056	2.479	2.779	3.435
27	0.256	0.435	0.684	0.855	1.176	1.314	1.703	2.052	2.473	2.771	3.421
28	0.256	0.435	0.683	0.855	1.175	1.313	1.701	2.048	2.467	2.763	3.408
29	0.256	0.435	0.683	0.854	1.174	1.311	1.699	2.045	2.462	2.756	3.396
30	0.256	0.435	0.683	0.854	1.173	1.310	1.697	2.042	2.457	2.750	3.385
35	0.255	0.434	0.682	0.852	1.170	1.306	1.690	2.030	2.438	2.724	3.340
40	0.255	0.434	0.681	0.851	1.167	1.303	1.684	2.021	2.423	2.704	3.307
45	0.255	0.434	0.680	0.850	1.165	1.301	1.679	2.014	2.412	2.690	3.281
50	0.255	0.433	0.679	0.849	1.164	1.299	1.676	2.009	2.403	2.678	3.261
55	0.255	0.433	0.679	0.848	1.163	1.297	1.673	2.004	2.396	2.668	3.245
60	0.254	0.433	0.679	0.848	1.162	1.296	1.671	2.000	2.390	2.660	3.232
∞	0.253	0.431	0.674	0.842	1.150	1.282	1.645	1.960	2.326	2.576	3.090
<i>v</i>	60.0%	66.7%	75.0%	80.0%	87.5%	90.0%	95.0%	97.5%	99.0%	99.5%	99.9%